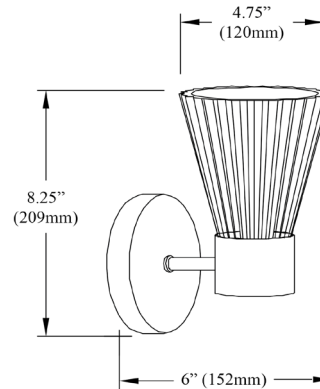


# VIE-91W-MB - Vienna 1LT Wall Sconce, MB with CLR Ribbed Glass

1 Light Incandescent Wall Satin Chrome Matte Black with Clear Ribbed Glass



VIE-91W






<b>Height</b>	8.25"
<b>Width/Length</b>	4.75"
<b>Depth</b>	6"
<b>Weight</b>	2 lbs
<b>Body Material</b>	Metal
<b>Finish/Color</b>	Matte Black
<b>Type of Finish</b>	Painted
<b>Light Qty</b>	1
<b>Light Base</b>	E12
<b>Light Max Watt</b>	60
<b>Light Inc</b>	No

<b>Dimmable</b>	Dimmable
<b>LED Compatible</b>	LED Compatible
<b>Total Wattage</b>	60W
<b>Second Material</b>	Glass
<b>Second Finish/Color</b>	Clear
<b>Second Type of Finish</b>	Ribbed
<b>Rated For</b>	Damp
<b>Voltage</b>	120V
<b>Approval</b>	cUL or equivalent
<b>Warranty</b>	1 Year Limited
<b>Install Position</b>	Wall

Date:	Notes:
Fixture Type:	
Job Name:	

Lighting | LED | Shades | Custom Designs

 [www.dainolite.com](http://www.dainolite.com)
 1-888-564-1262
  [dainolite@dainolite.com](mailto:dainolite@dainolite.com)



TORONTO | BUFFALO