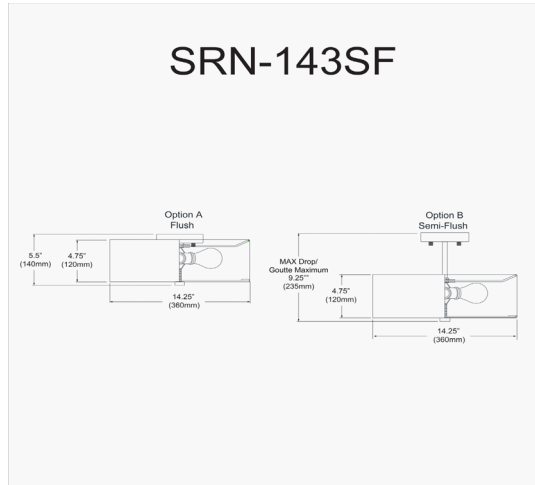


# SRN-143SF-SC-BK - Seren 3LT Incandescent Semi-Flush SC w/ Black Shade

3 Light Incandescent Semi-Flush, Satin Chrome with Black Shade



<b>Height</b>	9.25"
<b>Width/Length</b>	14.25"
<b>Depth</b>	14.25"
<b>Weight</b>	3 lbs
<b>Body Material</b>	Fabric
<b>Finish/Color</b>	Black
<b>Type of Finish</b>	Satin
<b>Light Qty</b>	3
<b>Light Base</b>	E26
<b>Light Max Watt</b>	60
<b>Light Inc</b>	No

<b>Dimmable</b>	Dimmable
<b>LED Compatible</b>	LED Compatible
<b>Total Wattage</b>	180W
<b>Second Material</b>	Metal
<b>Second Finish/Color</b>	Satin Chrome
<b>Second Type of Finish</b>	Electroplated
<b>Rated For</b>	Dry Location
<b>Voltage</b>	120V
<b>Approval</b>	cUL or equivalent
<b>Warranty</b>	1 Year Limited
<b>Install Position</b>	Ceiling
<b>Extension Length</b>	4

Date:	Notes:
Fixture Type:	
Job Name:	

Lighting | LED | Shades | Custom Designs

[www.dainolite.com](http://www.dainolite.com) | 1-888-564-1262 | [dainolite@dainolite.com](mailto:dainolite@dainolite.com)

**Dainolite**   
TORONTO | BUFFALO