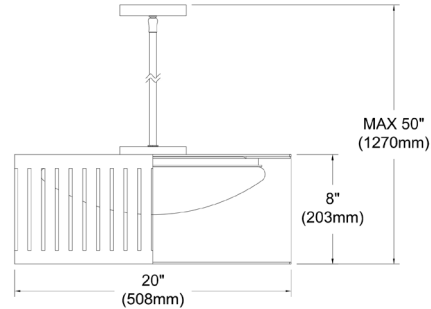


# SDLED-20P-MB-WH - Slit Drum 22W Slit Drum Pendant, MB with WH Shade

22W Slit Drum Pendant, Matte Black with White Shade



SDLED-20P



<b>Height</b>	8"
<b>Width/Length</b>	20"
<b>Depth</b>	20"
<b>Weight</b>	2 lbs

<b>Body Material</b>	Fabric
<b>Finish/Color</b>	White
<b>Type of Finish</b>	Fabric

<b>Light Qty</b>	1
<b>Light Base</b>	LED
<b>Light Max Watt</b>	22
<b>Light Inc</b>	Yes
<b>Light Lumens</b>	1350
<b>Light CRI</b>	80+
<b>Light CCT</b>	3000K
<b>Light Life</b>	30000 Hours

<b>Dimmable</b>	Dimmable
<b>LED Compatible</b>	Integrated LED
<b>Total Wattage</b>	22W

<b>Second Material</b>	Metal
<b>Second Finish/Color</b>	Black
<b>Second Type of Finish</b>	Painted

<b>Rated For</b>	Dry Location
<b>Voltage</b>	120V

<b>Approval</b>	cUL or equivalent
<b>Warranty</b>	3 Years Limited
<b>Install Position</b>	Ceiling

<b>Extension Length</b>	39 (8+11+20)
-------------------------	--------------

Date:	Notes:
Fixture Type:	
Job Name:	

Lighting | LED | Shades | Custom Designs

[www.dainolite.com](http://www.dainolite.com) | 1-888-564-1262 | [dainolite@dainolite.com](mailto:dainolite@dainolite.com)



TORONTO | BUFFALO