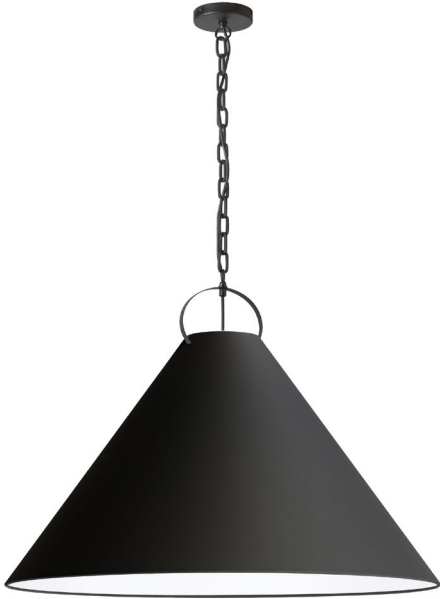
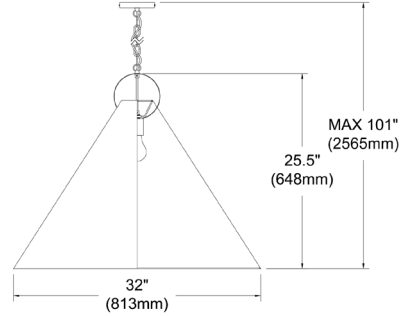


PCN-321P-MB-797 - Princeton 1LT Incand Pendant, MB w/ BK Shade

1 Light Incandescent Pendant, Matte Black with Black Shade



PCN-321P



Height	25.5"
Width/Length	32"
Depth	32"
Weight	7 lbs

Body Material	Fabric
Finish/Color	Black
Type of Finish	Fabric

Light Qty	1
Light Base	E26
Light Max Watt	100
Light Inc	No

Dimmable	Dimmable
LED Compatible	LED Compatible
Total Wattage	100W

Second Material	Metal
Second Finish/Color	Black
Second Type of Finish	Painted



Rated For	Dry Location
Voltage	120V

Approval	cUL or equivalent
Warranty	1 Year Limited
Install Position	Ceiling

Extension Length 72

Date:	Notes:
Fixture Type:	
Job Name:	

Lighting | LED | Shades | Custom Designs

 www.dainolite.com  1-888-564-1262  dainolite@dainolite.com

Dainolite 
TORONTO | BUFFALO