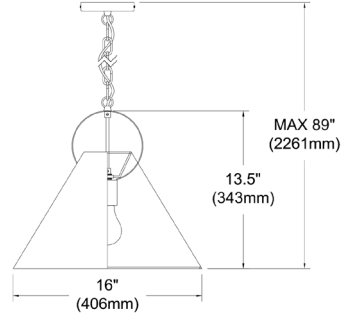


# PCN-161P-AGB-790 - Princeton 1LT Incand Pendant, AGB w/ WH Shade

1 Light Incandescent Pendant, Aged Brass with White Shade



PCN-161P



<b>Height</b>	13.5"
<b>Width/Length</b>	16"
<b>Depth</b>	16"
<b>Weight</b>	3 lbs

<b>Body Material</b>	Fabric
<b>Finish/Color</b>	White
<b>Type of Finish</b>	Fabric

<b>Light Qty</b>	1
<b>Light Base</b>	E26
<b>Light Max Watt</b>	100
<b>Light Inc</b>	No

<b>Dimmable</b>	Dimmable
<b>LED Compatible</b>	LED Compatible
<b>Total Wattage</b>	100W

<b>Second Material</b>	Metal
<b>Second Finish/Color</b>	Gold
<b>Second Type of Finish</b>	Painted

<b>Rated For</b>	Dry Location
<b>Voltage</b>	120V

<b>Approval</b>	cUL or equivalent
<b>Warranty</b>	1 Year Limited
<b>Install Position</b>	Ceiling

**Extension Length** 72

Date:	Notes:
Fixture Type:	
Job Name:	

Lighting | LED | Shades | Custom Designs

[www.dainolite.com](http://www.dainolite.com) | 1-888-564-1262 | [dainolite@dainolite.com](mailto:dainolite@dainolite.com)



TORONTO | BUFFALO