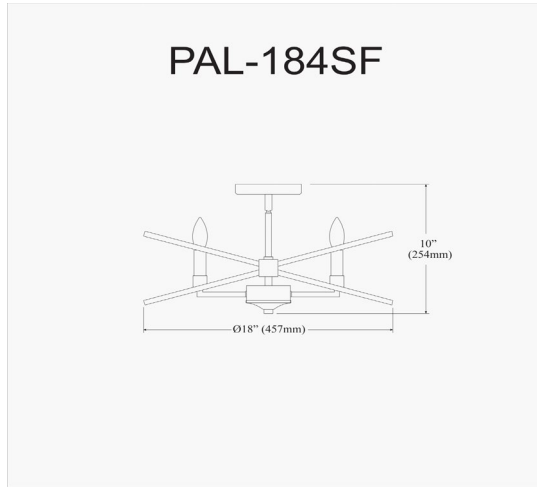


# PAL-184SF-PC-MB - Paloma 4LT Incandescent Semi Flush, PC and MB

4 Light Incandescent Semi Flush, Polished Chrome and Matte Black Finish



<b>Height</b>	7"
<b>Width/Length</b>	18"
<b>Depth</b>	18"
<b>Weight</b>	3.5 lbs

<b>Body Material</b>	Metal
<b>Finish/Color</b>	Polished Chrome
<b>Type of Finish</b>	Electroplated

<b>Light Qty</b>	4
<b>Light Base</b>	E12
<b>Light Max Watt</b>	60
<b>Light Inc</b>	No

<b>Dimmable</b>	Dimmable
<b>LED Compatible</b>	LED Compatible
<b>Total Wattage</b>	240W

<b>Second Material</b>	Metal
<b>Second Finish/Color</b>	Black
<b>Second Type of Finish</b>	Painted

<b>Rated For</b>	Dry Location
<b>Voltage</b>	120V

<b>Approval</b>	cUL or equivalent
<b>Warranty</b>	1 Year Limited
<b>Install Position</b>	Ceiling

<b>Extension Length</b>	3
-------------------------	---

Date:	Notes:
Fixture Type:	
Job Name:	

Lighting | LED | Shades | Custom Designs

[www.dainolite.com](http://www.dainolite.com) | 1-888-564-1262 | [dainolite@dainolite.com](mailto:dainolite@dainolite.com)



TORONTO | BUFFALO