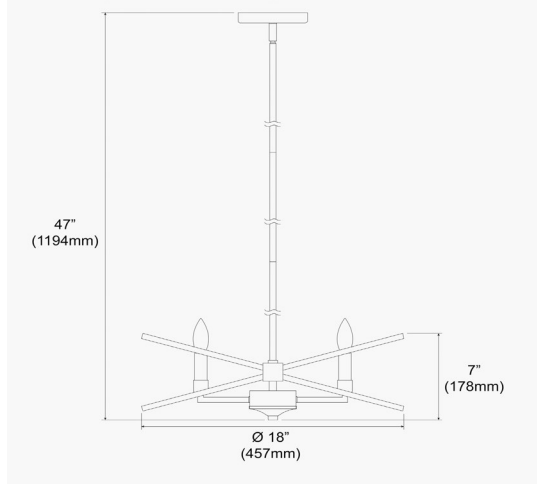


PAL-184C-PC-MB - Paloma 4LT Incandescent Chandelier, PC & MB Finish

4 Light Incandescent Chandelier, Polished Chrome and Matte Black Finish



Height	6"
Width/Length	18"
Depth	18"
Weight	8 lbs

Body Material	Metal
Finish/Color	Polished Chrome
Type of Finish	Electroplated

Light Qty	4
Light Base	E12
Light Max Watt	40
Light Inc	No

Dimmable	Dimmable
LED Compatible	LED Compatible
Total Wattage	160W

Second Material	Metal
Second Finish/Color	Black
Second Type of Finish	Painted

Rated For	Damp Location
Voltage	120V

Approval	cUL or equivalent
Warranty	1 Year Limited
Install Position	Ceiling

Extension Length	39 (8+11+20)
-------------------------	--------------

Date:	Notes:
Fixture Type:	
Job Name:	

Lighting | LED | Shades | Custom Designs

www.dainolite.com | 1-888-564-1262 | dainolite@dainolite.com

Dainolite 
TORONTO | BUFFALO