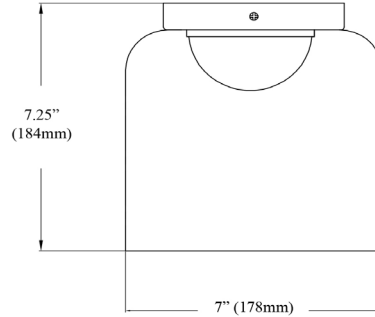


NAD-810LED FH-PC - Nadine 10W Flush Mount, PC w/ CLR Glass

10W LED Nadine Flush Mount Polished Chrome w/ Clear Glass



NAD-810LED FH



Height	7.25"
Width/Length	7"
Depth	7"
Weight	2 lbs

Body Material	Glass
Finish/Color	Clear

Light Qty	1
Light Base	LED
Light Max Watt	10
Light Inc	Yes
Light Lumens	945(Initial) 345(Delivered)
Light CRI	90+
Light CCT	3000K
Light Life	30000 Hours

Dimmable	Dimmable
LED Compatible	Integrated LED
Total Wattage	10W

Second Material	Metal
Second Finish/Color	Polished Chrome
Second Type of Finish	Electroplated

Rated For	Damp Location
Voltage	120V

Approval	cUL or equivalent
Warranty	3 Years Limited
Install Position	Ceiling

Date:	Notes:
Fixture Type:	
Job Name:	

Lighting | LED | Shades | Custom Designs

www.dainolite.com | 1-888-564-1262 | dainolite@dainolite.com



TORONTO | BUFFALO