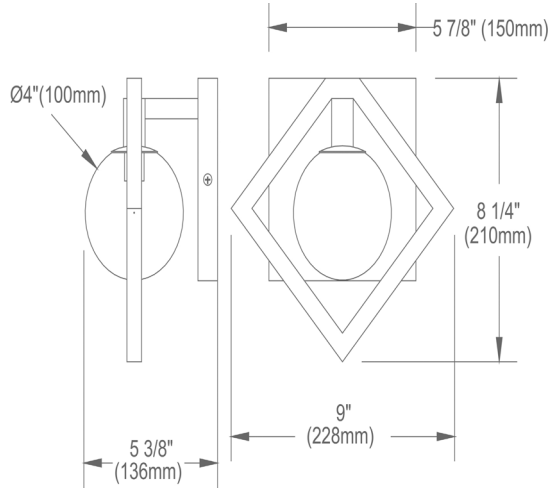


GLA-91W-MB-VB - Glasgow 1LT Halogen Wall Sconce MB & VB w/ Champg Glass

1 Light Wall Sconce, Matte Black & Vintage Bronze Finish, Champagne Glass



Height	8.25"
Width/Length	9"
Depth	5.5"
Weight	3 lbs

Body Material	Metal
Finish/Color	Vintage Bronze
Type of Finish	Electroplated

Light Qty	1
Light Base	G9
Light Max Watt	25
Light Inc	No

Dimmable	Dimmable
LED Compatible	LED Compatible
Total Wattage	25W

Second Material	Glass
Second Finish/Color	Champagne
Second Type of Finish	Glass

Rated For	Damp Location
Voltage	120V

Approval	cUL or equivalent
Warranty	1 Year Limited
Install Position	Wall

Date:	Notes:
Fixture Type:	
Job Name:	

Lighting | LED | Shades | Custom Designs

www.dainolite.com | 1-888-564-1262 | dainolite@dainolite.com

