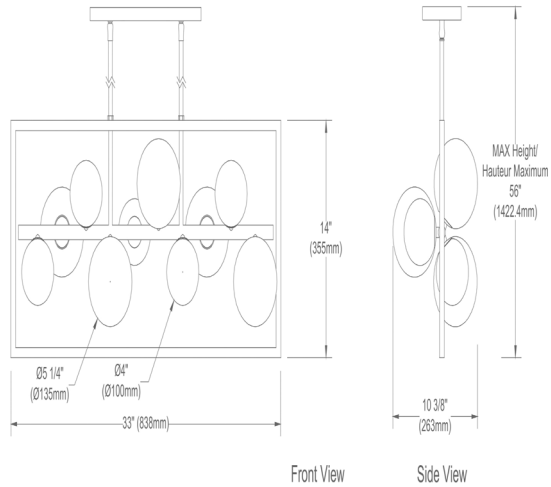


GLA-3310HP-MB - Glasgow 10LT Halogen Horiz Pendant MB w/ Smoked Glass

10 Light Halogen Horizontal Pendant Matte Black Finish with Smoked Glass



| | |
|---------------------|--------|
| Height | 14" |
| Width/Length | 33" |
| Depth | 10.5" |
| Weight | 14 lbs |

| | |
|-----------------------|---------|
| Body Material | Metal |
| Finish/Color | Black |
| Type of Finish | Painted |

| | |
|-----------------------|----|
| Light Qty | 10 |
| Light Base | G9 |
| Light Max Watt | 25 |
| Light Inc | No |

| | |
|-----------------------|----------------|
| Dimmable | Dimmable |
| LED Compatible | LED Compatible |
| Total Wattage | 250W |

| | |
|----------------------------|-------|
| Second Material | Glass |
| Second Finish/Color | Smoke |

| | |
|------------------|--------------|
| Rated For | Dry Location |
| Voltage | 120V |

| | |
|-------------------------|-------------------|
| Approval | cUL or equivalent |
| Warranty | 1 Year Limited |
| Install Position | Ceiling |

| | |
|-------------------------|--------------|
| Extension Length | 39 (8+11+20) |
|-------------------------|--------------|

| | |
|---------------|--------|
| Date: | Notes: |
| Fixture Type: | |
| Job Name: | |

Lighting | LED | Shades | Custom Designs

www.dainolite.com | 1-888-564-1262 | dainolite@dainolite.com

