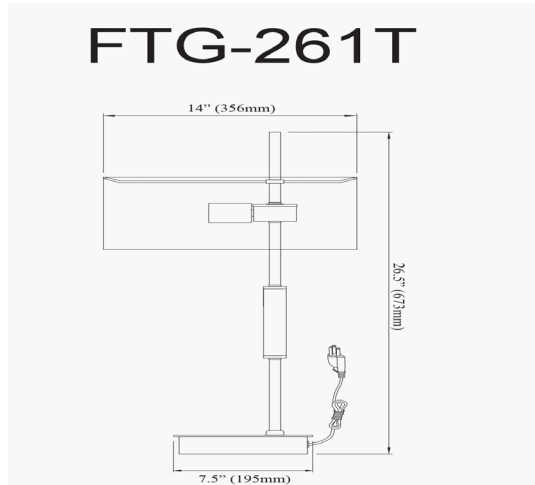


FTG-261T-MB-WH - Fitzgerald 1LT Incandescent Table Lamp, MB w/ WH Shade

1 Light Incandescent Table Lamp, Matte Black w/ White Shade



Height	26.5"
Width/Length	14"
Depth	14"
Weight	8 lbs
Body Material	Metal
Finish/Color	Matte Black
Type of Finish	Painted
Light Qty	1
Light Base	E26
Light Max Watt	100
Light Inc	No

Dimmable	Not Dimmable
LED Compatible	LED Compatible
Total Wattage	100W
Second Material	Fabric
Second Finish/Color	White
Rated For	Dry Location
Voltage	120V
Approval	cUL or equivalent
Warranty	1 Year Limited
Install Position	Table

Date:	Notes:
Fixture Type:	
Job Name:	

Lighting | LED | Shades | Custom Designs

www.dainolite.com | 1-888-564-1262 | dainolite@dainolite.com



TORONTO | BUFFALO