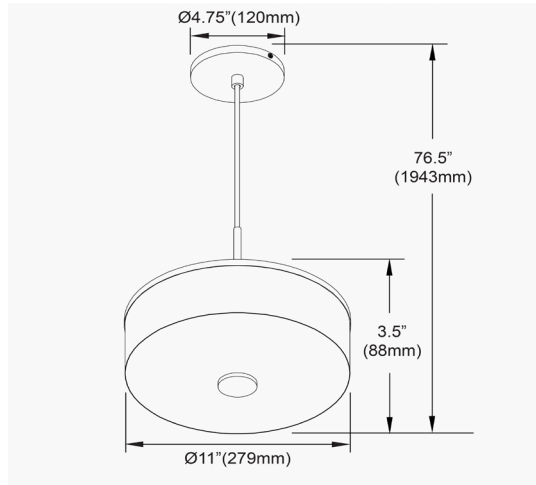


# DUL-1120LEDP-MB - Dulce 20W Pendant, MB w/ CLR Rippled Glass



<b>Height</b>	3.5"
<b>Width/Length</b>	11"
<b>Depth</b>	11"
<b>Weight</b>	4.5 lbs

<b>Body Material</b>	Glass
<b>Finish/Color</b>	Clear
<b>Type of Finish</b>	Rippled

<b>Light Qty</b>	1
<b>Light Base</b>	AC LED
<b>Light Max Watt</b>	20
<b>Light Inc</b>	Yes
<b>Light Lumens</b>	1000 (Initial) 600 (Delivered)
<b>Light CRI</b>	90+
<b>Light CCT</b>	3500K
<b>Light Life</b>	30000 Hours

<b>Dimmable</b>	Dimmable
<b>LED Compatible</b>	Integrated LED
<b>Total Wattage</b>	20W

<b>Second Material</b>	Metal
<b>Second Finish/Color</b>	Matte Black
<b>Second Type of Finish</b>	Painted

<b>Rated For</b>	Damp
<b>Voltage</b>	120V

<b>Approval</b>	cUL or equivalent
<b>Warranty</b>	5 Years Limited
<b>Install Position</b>	Ceiling

<b>Extension Length</b>	72
-------------------------	----

Date:	Notes:
Fixture Type:	
Job Name:	

Lighting | LED | Shades | Custom Designs

www.dainolite.com 1-888-564-1262 dainolite@dainolite.com

**Dainolite**   
TORONTO | BUFFALO