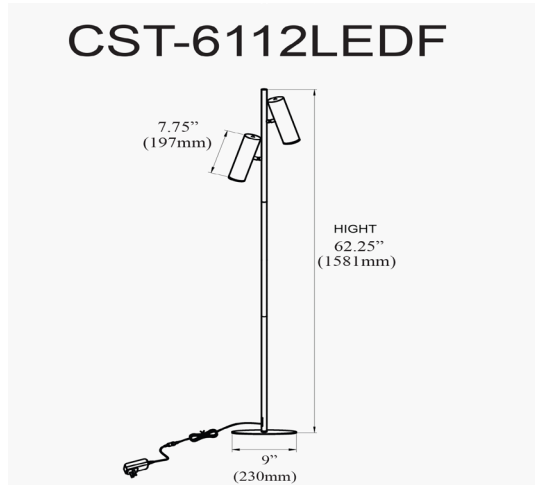


# CST-6112LEDF-SC - Constance 12W Floor Lamp, SC w/ FR Acrylic Diffuser

12W Floor Lamp, Satin Chrome with Frosted Acrylic Diffuser



<b>Height</b>	61.75"
<b>Width/Length</b>	9"
<b>Depth</b>	9"
<b>Weight</b>	10 lbs

<b>Body Material</b>	Metal
<b>Finish/Color</b>	Satin Chrome
<b>Type of Finish</b>	Electroplated

<b>Light Qty</b>	2
<b>Light Base</b>	LED
<b>Light Max Watt</b>	6
<b>Light Inc</b>	Yes
<b>Light Lumens</b>	1091(Initial) 593(delivered)
<b>Light CRI</b>	90+
<b>Light CCT</b>	3000K
<b>Light Life</b>	30000 Hours

<b>Dimmable</b>	Dimmable
<b>LED Compatible</b>	Integrated LED
<b>Total Wattage</b>	12W

<b>Second Material</b>	Acrylic
<b>Second Finish/Color</b>	Frosted

<b>Rated For</b>	Dry Location
<b>Voltage</b>	120V

<b>Approval</b>	cUL or equivalent
<b>Warranty</b>	3 Years Limited
<b>Install Position</b>	Floor

Date:	Notes:
Fixture Type:	
Job Name:	

Lighting | LED | Shades | Custom Designs

[www.dainolite.com](http://www.dainolite.com) | 1-888-564-1262 | [dainolite@dainolite.com](mailto:dainolite@dainolite.com)

**Dainolite**   
TORONTO | BUFFALO