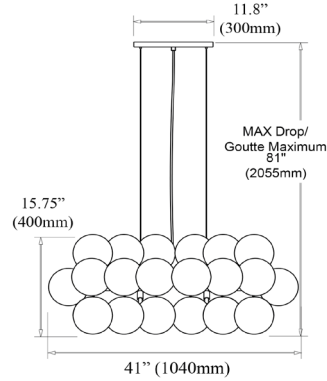


# CLZ-418HP-PC - Charlize 10LT Horiz Pendant, PC w/CLR Spiral Glass

10 Light Halogen Horizontal Pendant Polished Chrome with Clear Spiral Glass



## CLZ-418HP



<b>Height</b>	15.75"
<b>Width/Length</b>	41"
<b>Depth</b>	16.25"
<b>Weight</b>	12.5 lbs
<b>Body Material</b>	Glass
<b>Finish/Color</b>	Clear
<b>Type of Finish</b>	Spiral
<b>Light Qty</b>	10
<b>Light Base</b>	G9
<b>Light Max Watt</b>	40
<b>Light Inc</b>	No

<b>Dimmable</b>	Dimmable
<b>LED Compatible</b>	LED Compatible
<b>Total Wattage</b>	400W

<b>Second Material</b>	Metal
<b>Second Finish/Color</b>	Polished Chrome
<b>Second Type of Finish</b>	Electroplated

<b>Rated For</b>	Damp Location
<b>Voltage</b>	120V

<b>Approval</b>	cUL or equivalent
<b>Warranty</b>	1 Year Limited
<b>Install Position</b>	Ceiling

<b>Extension Length</b>	72
-------------------------	----

Date:	Notes:
Fixture Type:	
Job Name:	

Lighting | LED | Shades | Custom Designs

[www.dainolite.com](http://www.dainolite.com) | 1-888-564-1262 | [dainolite@dainolite.com](mailto:dainolite@dainolite.com)



TORONTO | BUFFALO