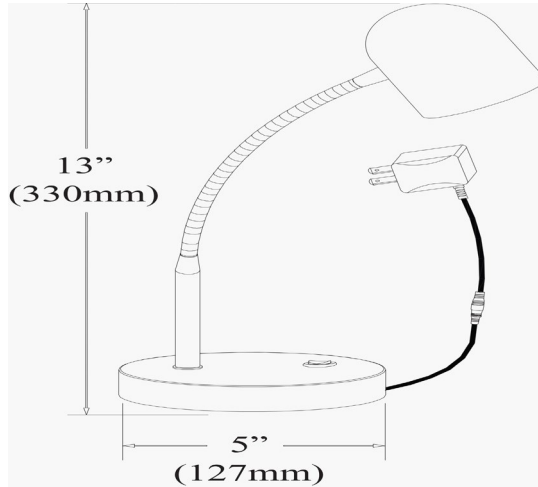


# 134LEDT-BK - 5W Table Lamp, Satin Black Finish

5 Watt LED Table Lamp, Satin Black Finish



<b>Height</b>	14"
<b>Width/Length</b>	6"
<b>Depth</b>	6"
<b>Weight</b>	2 lbs

<b>Body Material</b>	Metal
<b>Finish/Color</b>	Black
<b>Type of Finish</b>	Painted

<b>Light Qty</b>	1
<b>Light Base</b>	LED
<b>Light Max Watt</b>	5
<b>Light Inc</b>	Yes
<b>Light Lumens</b>	400
<b>Light CRI</b>	80+
<b>Light CCT</b>	3000K
<b>Light Life</b>	30000 Hours

<b>Dimmable</b>	Not Dimmable
<b>LED Compatible</b>	Integrated LED
<b>Total Wattage</b>	5W

<b>Second Material</b>	Metal
<b>Second Finish/Color</b>	Polished Chrome
<b>Second Type of Finish</b>	Electroplated

<b>Rated For</b>	Dry Location
<b>Voltage</b>	120V

<b>Approval</b>	cUL or equivalent
<b>Warranty</b>	3 Years Limited
<b>Install Position</b>	Table/Desk

Date:	Notes:
Fixture Type:	
Job Name:	

Lighting | LED | Shades | Custom Designs

www.dainolite.com 1-888-564-1262 dainolite@dainolite.com

**Dainolite**   
TORONTO | BUFFALO