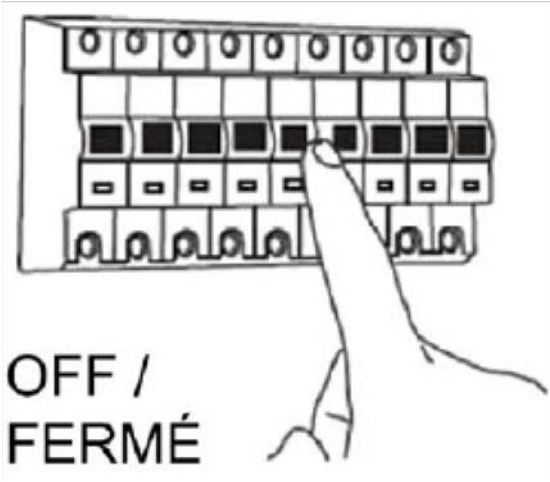
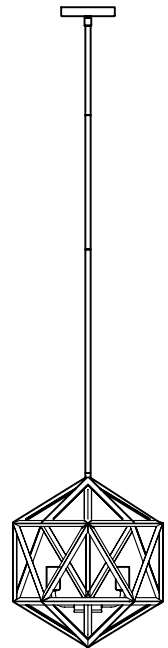
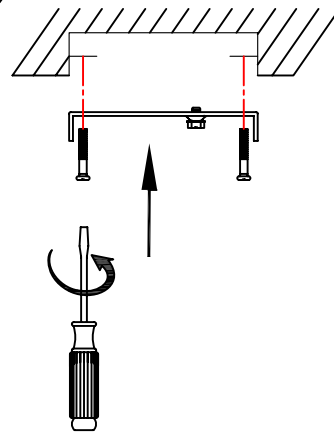


MODEL ARC-143C

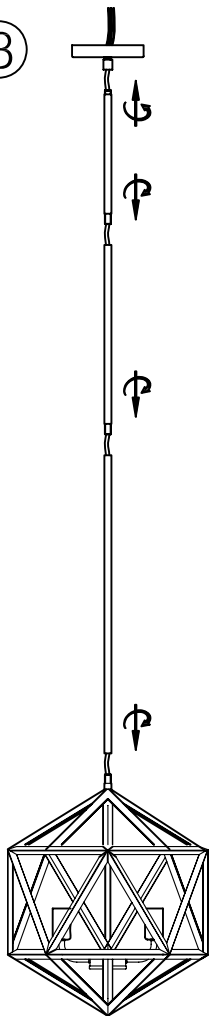
①



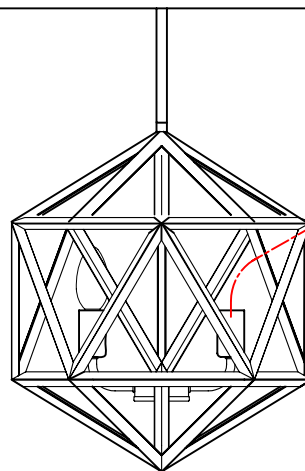
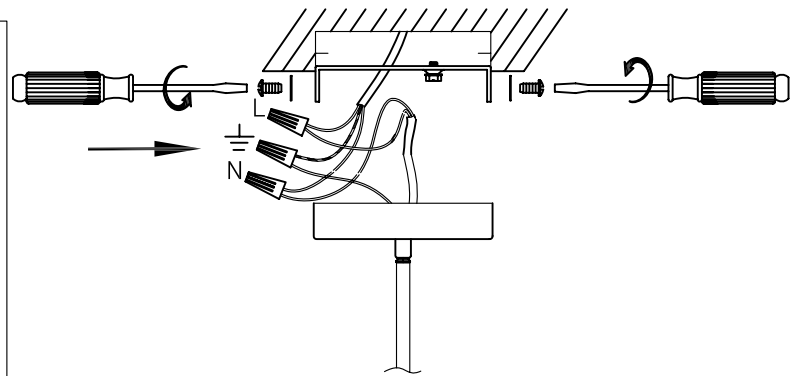
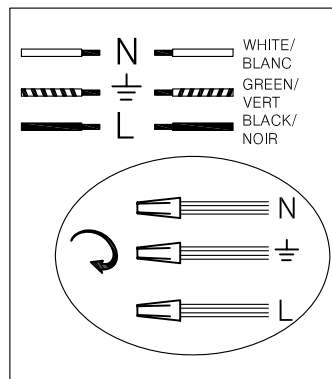
②



③



④



3*60W MAX E12
NOT INCLUDED/NOT INCLUS