

LAILA

SPECIALTY LAMPS



DLEDW-330-BZ

Description:

- The "LAILA" series louvre LED step/wall light is suitable for indoor or outdoor wall mount use. Ideal for retrofit applications. It is much easier to drill 31/8" (79.4mm) hole than cut 2" x 4" rectangle.
- This product is designed to be installed after wall sheeting material has been applied.
- Product supplied with its own plastic UL approved housing.
- Has no visible screws providing clean seamless finish.

Features:

- Die cast aluminum body with powder coated paint finish.
- Die cast aluminum louvre.
- Available in Black, White, Bronze or Brushed Aluminum finish.
- Uses 3.3W LED - 2700°K – 85 + CRI - included.
- 120V direct wiring – multiple fixtures can be wired together in parallel.
- The LED module is removable and can be replaced if required using exactly same binning.
- Includes integral 120V LED driver.
- Smooth and continuous dimming (to 10%) can be achieved using Lutron DVELV-300P and MAELV-600 and Legrand ADTH700.
- 40,000 hours rated life.
- 5 year limited warranty.



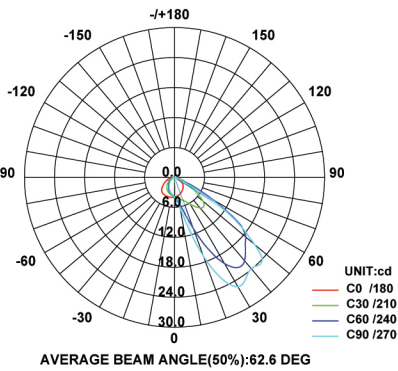
DLEDW-330-BA



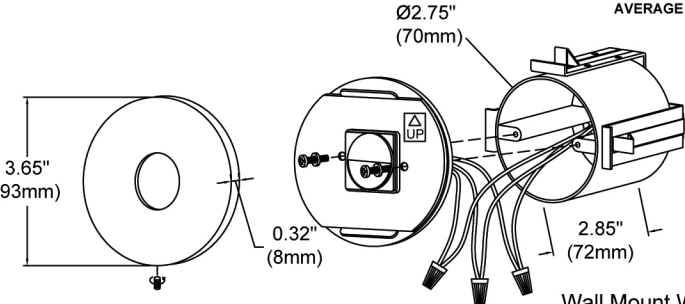
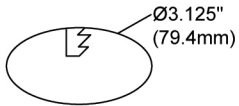
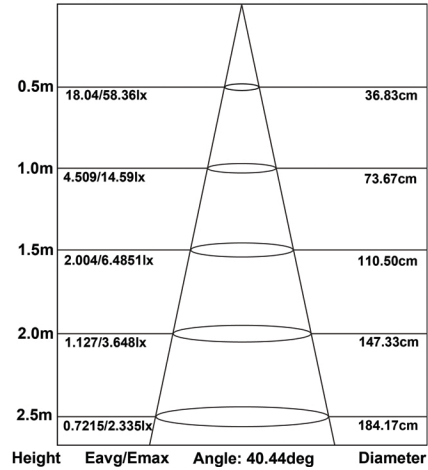
DLEDW-330-BK



DLEDW-330-WH



Flux out : 2.087 lm



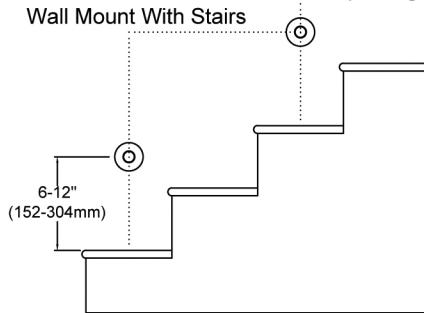
Data:

- Input voltage 120V
- Input power 3.3W
- Input current 0.03A
- Frequency 60Hz
- Min starting temp. ...-20°C(-4°F)
- CRI 85+
- CCT 2700°K*
- Lumens..... 237Lm

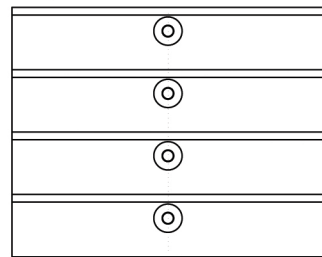


*Please be advised that this series can also be ordered with special lenses to change colour output. Available in Amber, Blue and Red.

Spacing Recommendations



Step Mount For Stairs



Mount in center of stair as close to the upper tread as possible

Hallways

